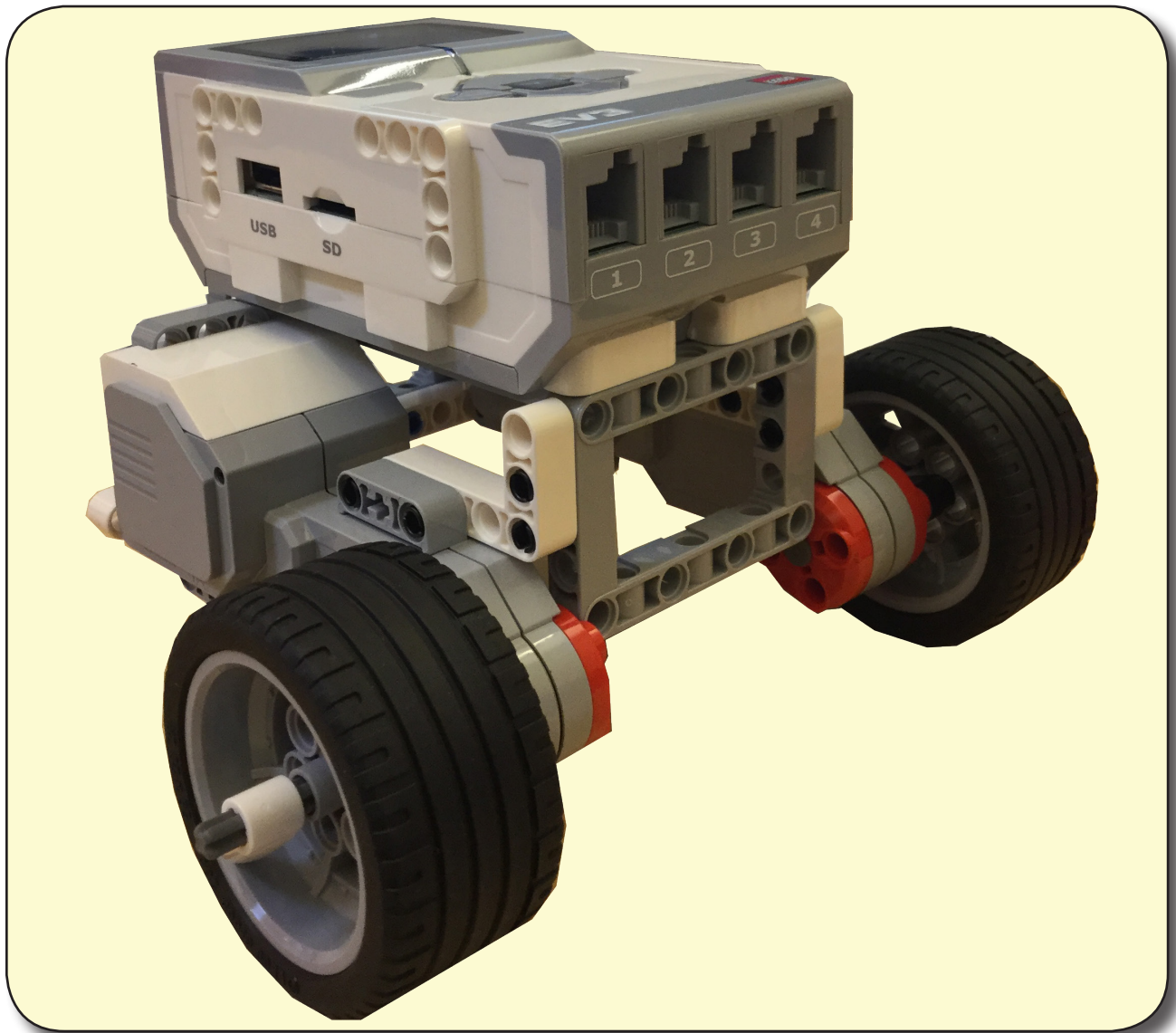


Riley Rover

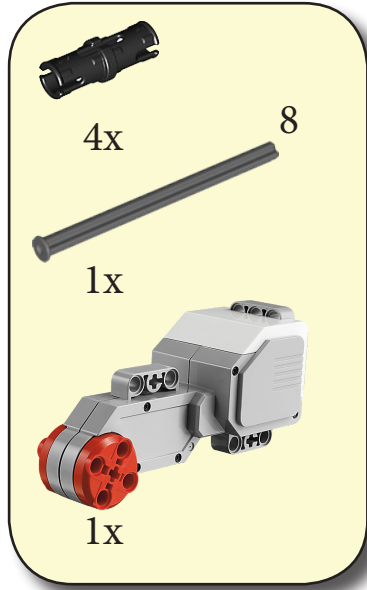
Building Instructions

by
Jayce and Karianna

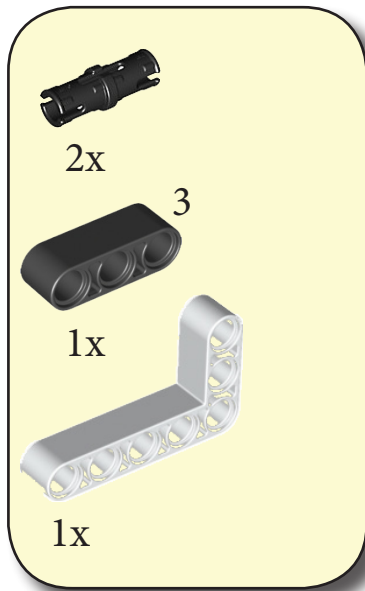


Right Motor Assembly

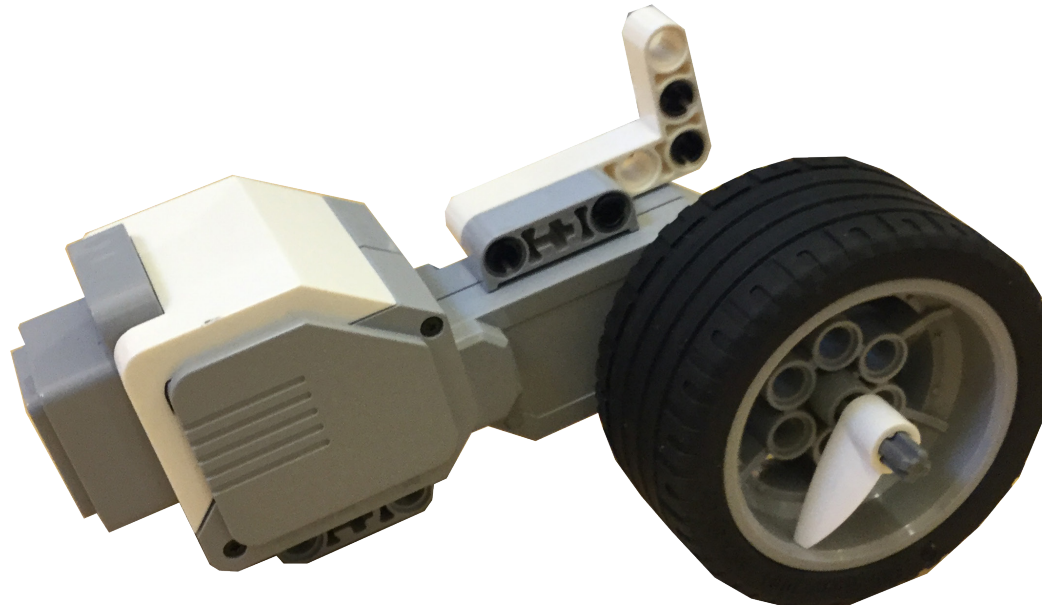
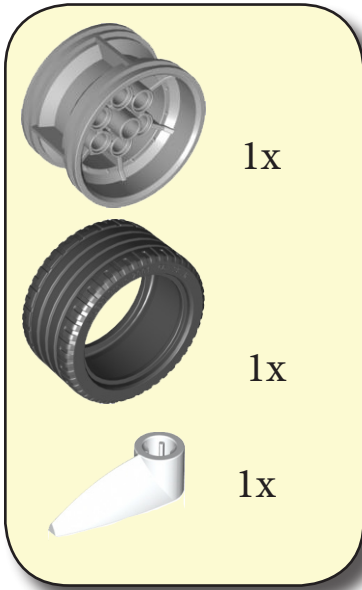
Step 1



Step 2

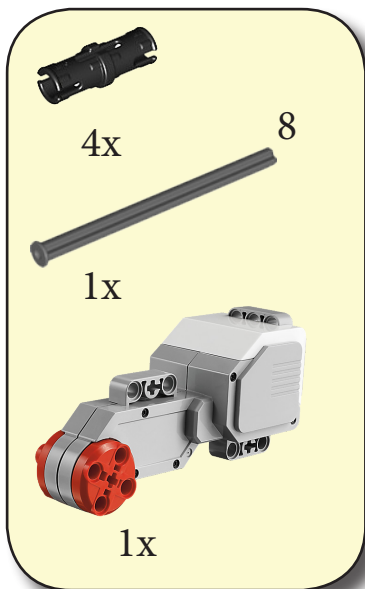


Step 3

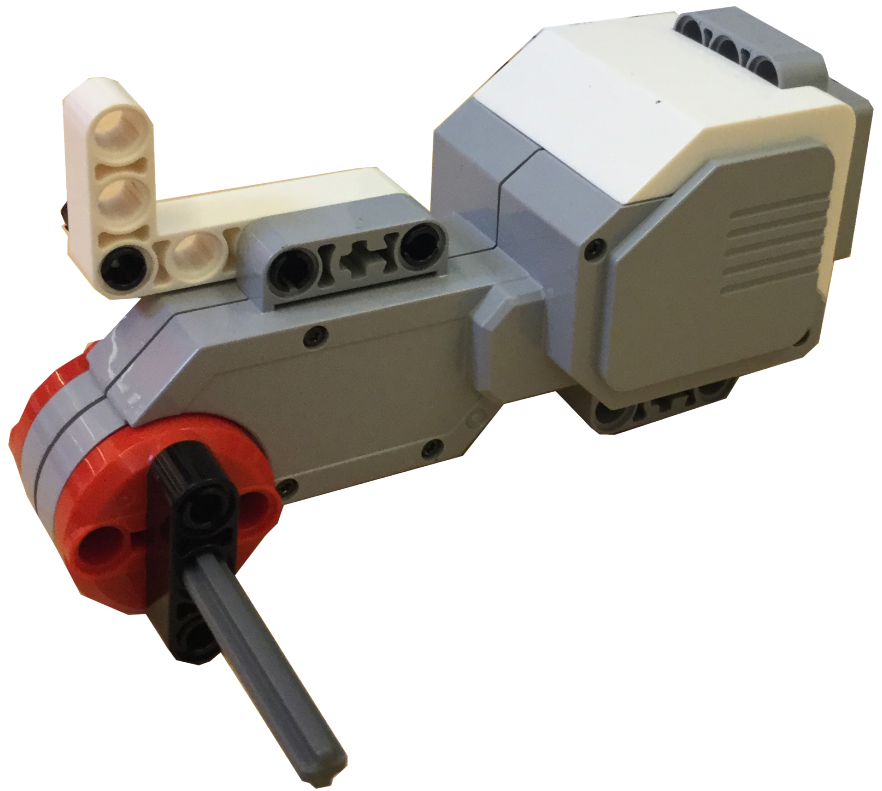
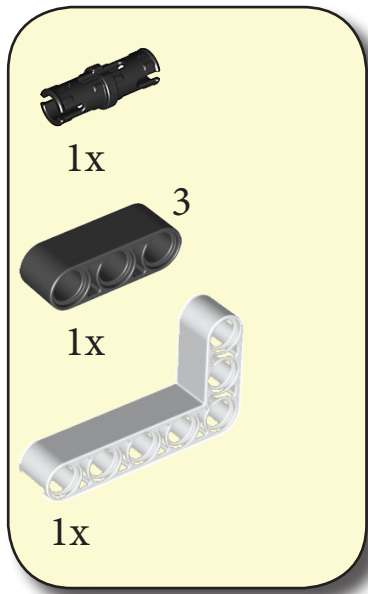


Left Motor Assembly

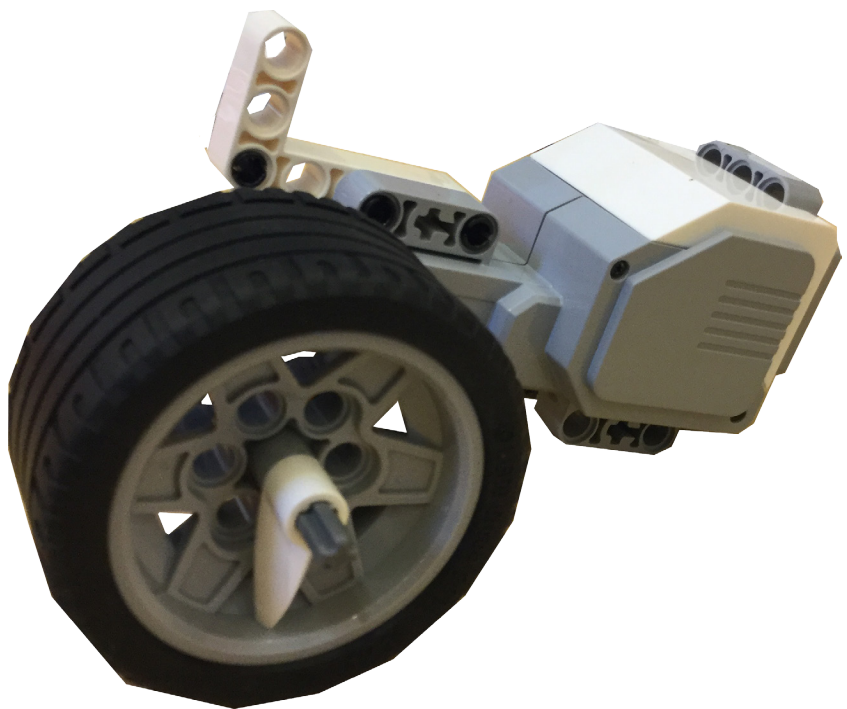
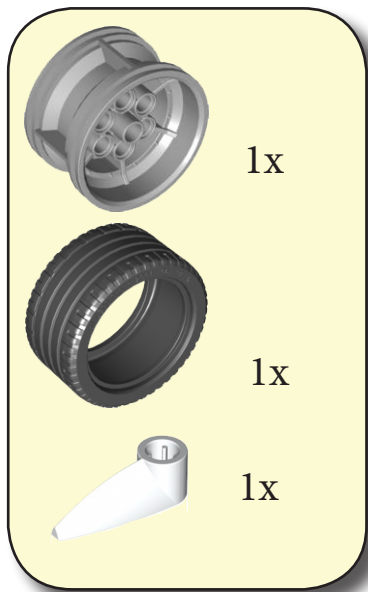
Step 4



Step 5

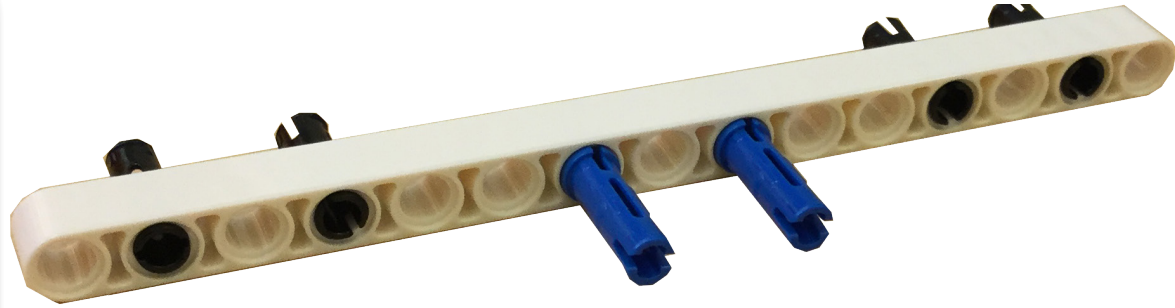
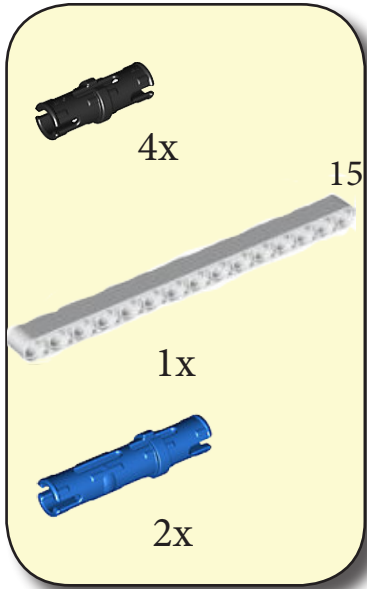


Step 6

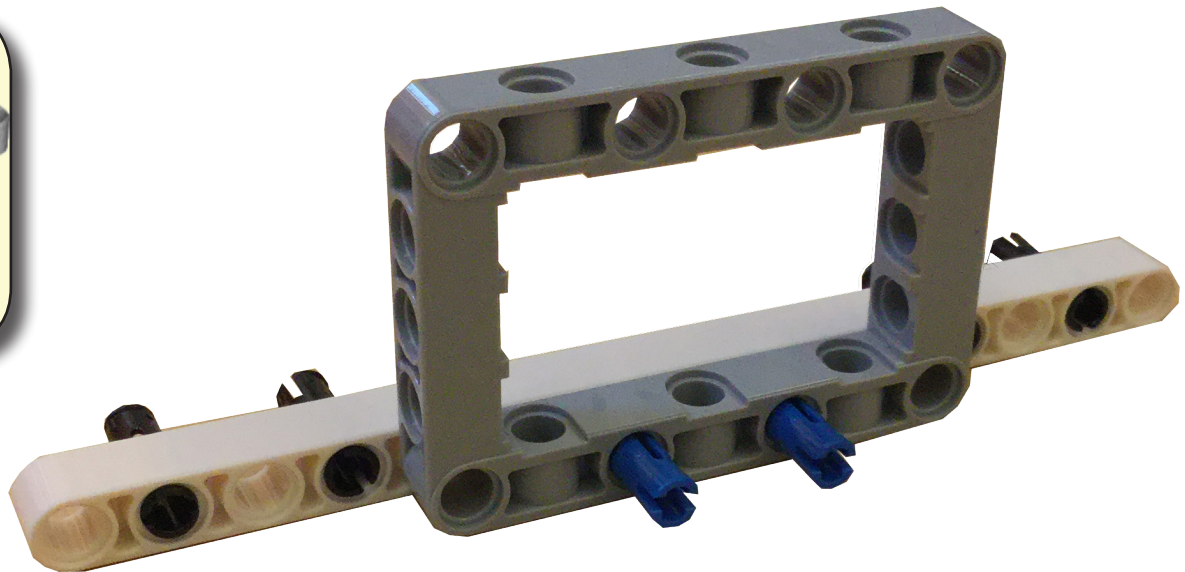
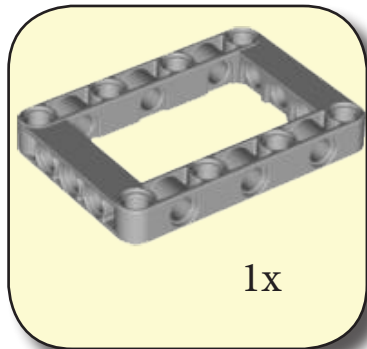


Back Castor Assemebly

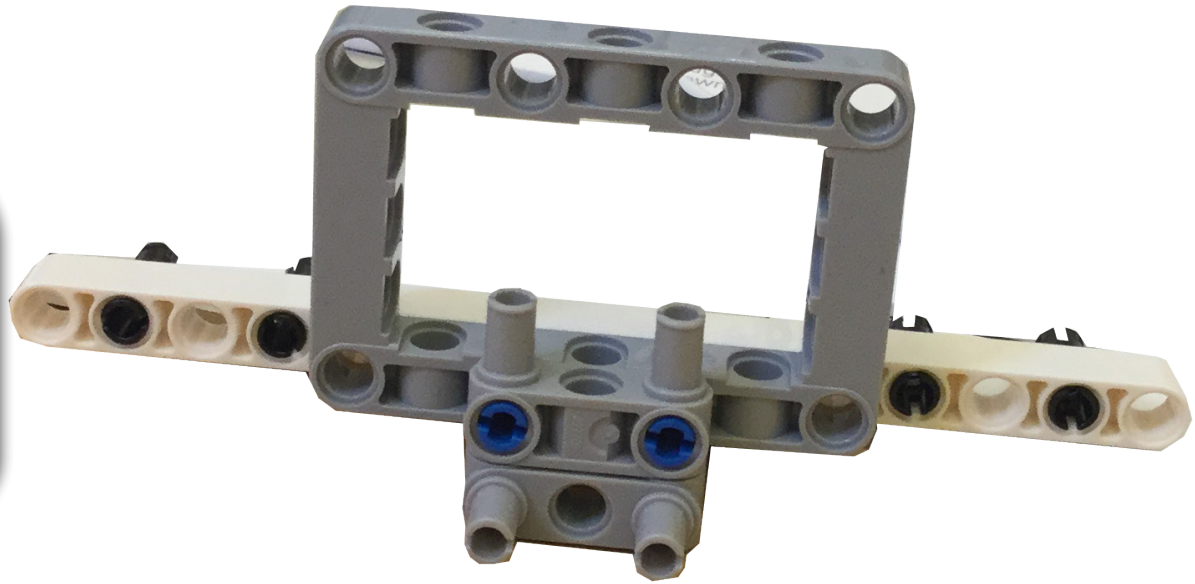
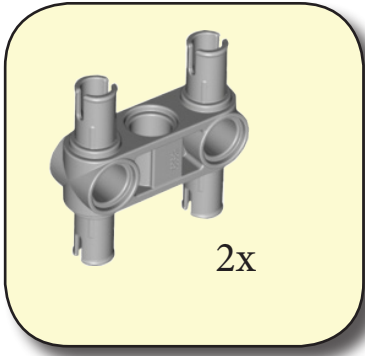
Step 7



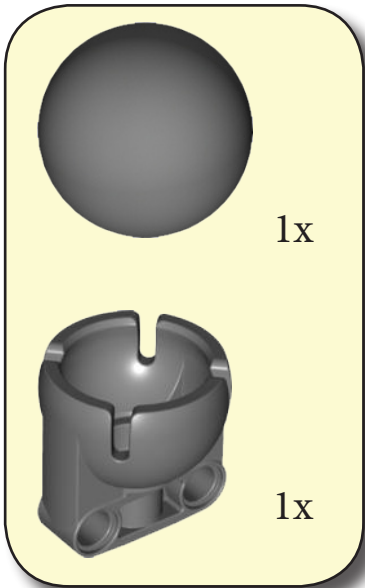
Step 8



Step 9

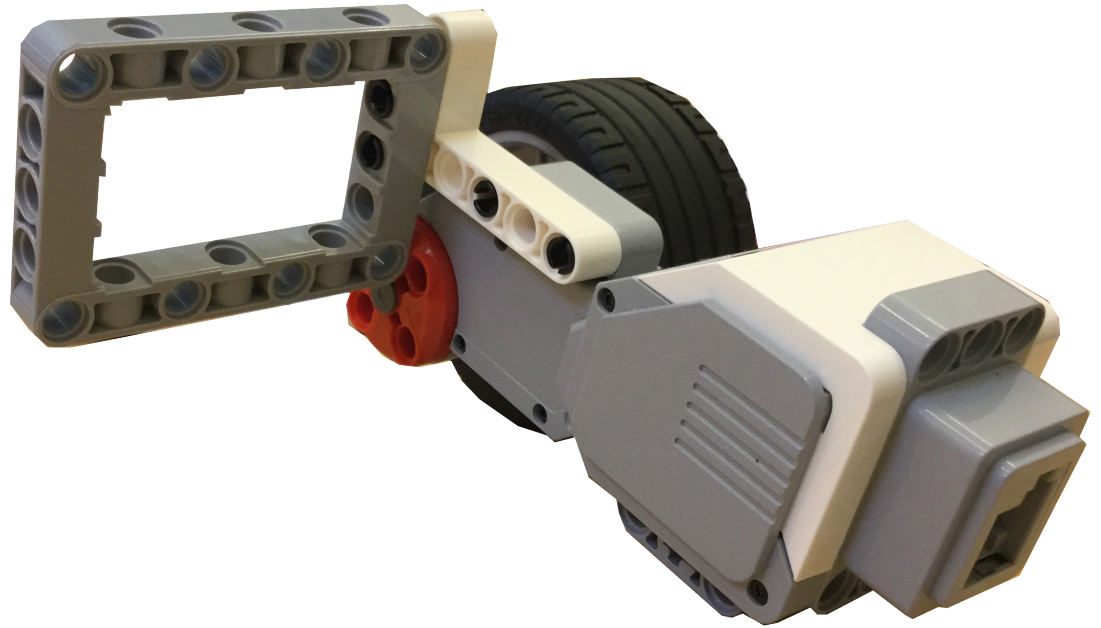
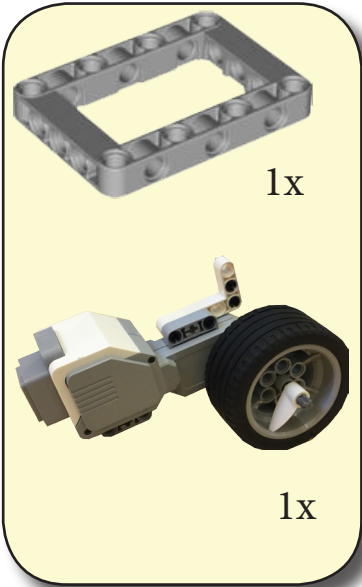


Step 10

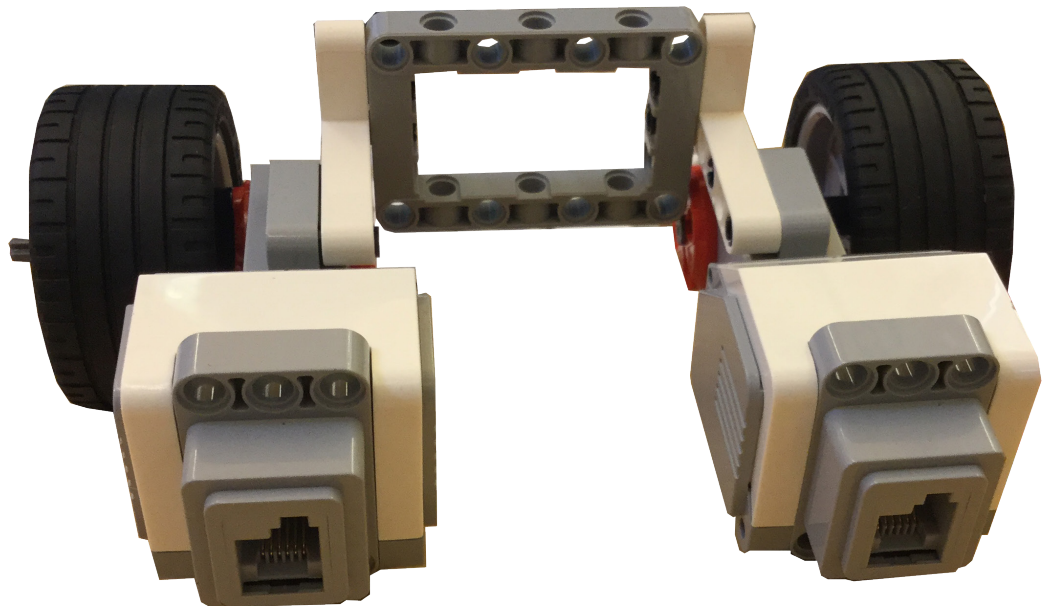


Assemble Right Motor, Left Motor and Back Castor

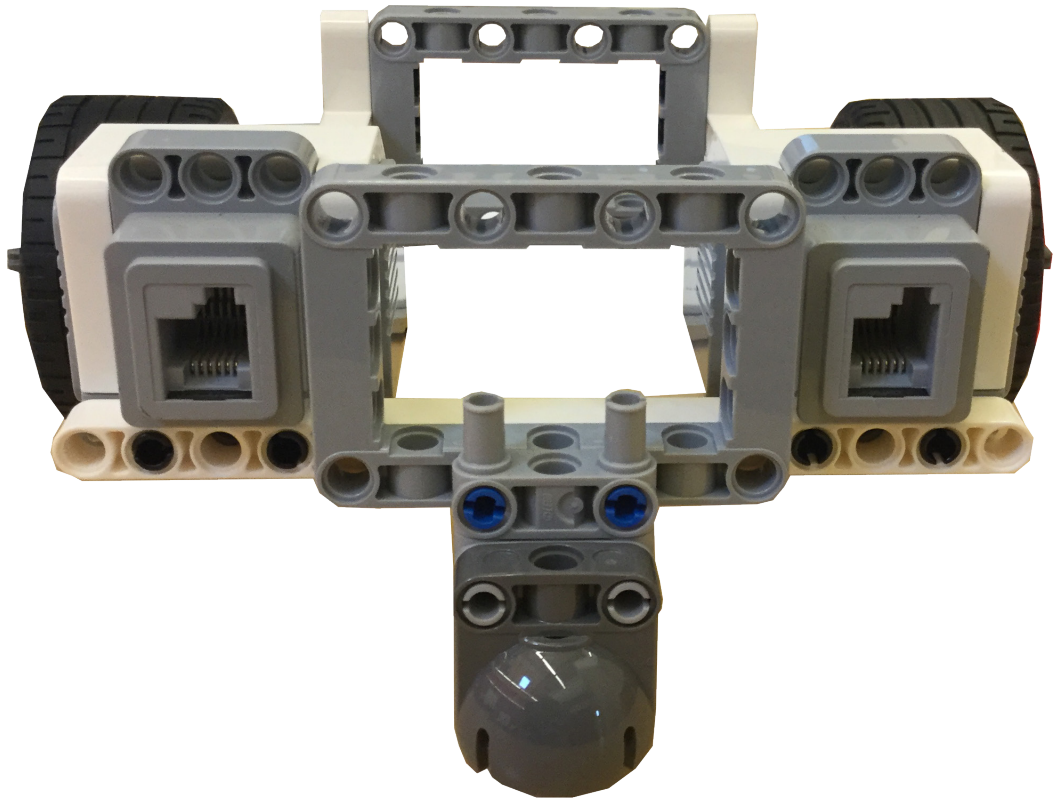
Step 11



Step 12

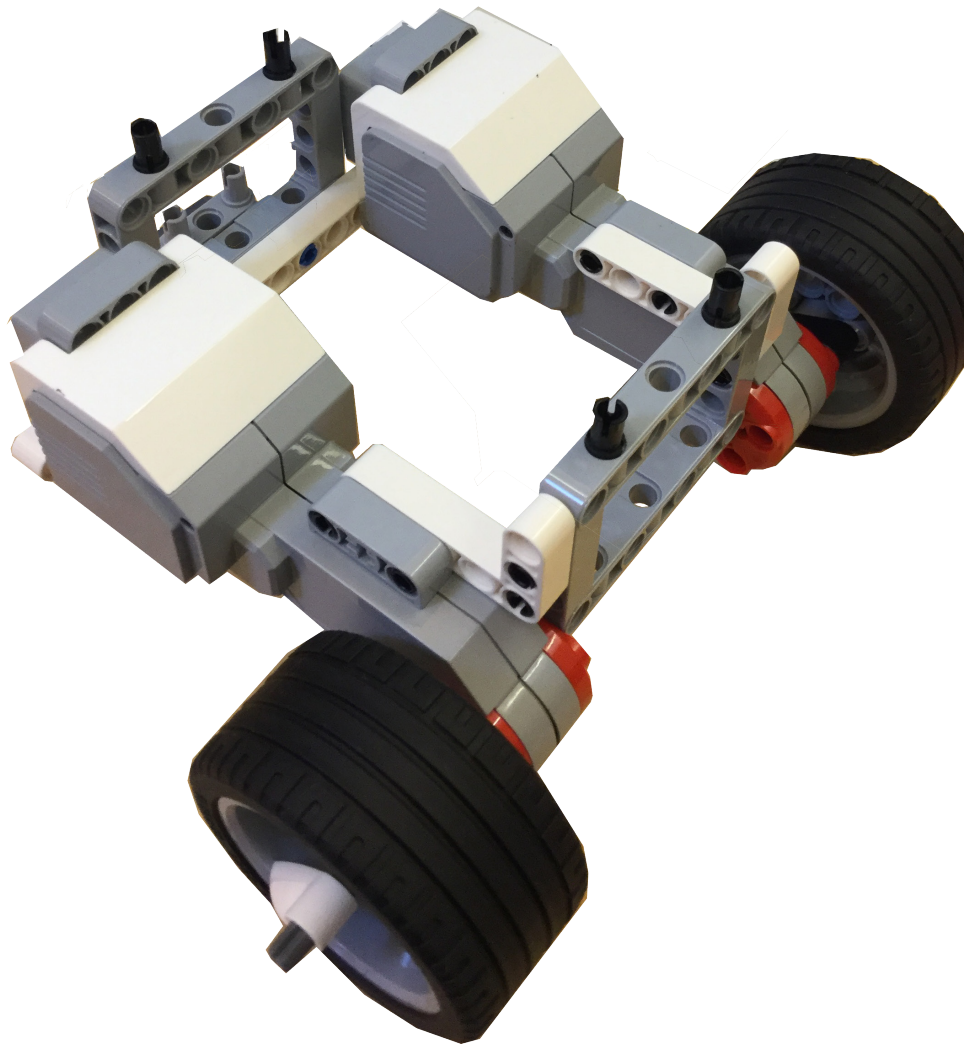


Step 13



Turn Base Around

Step 14



Step 15



1x

